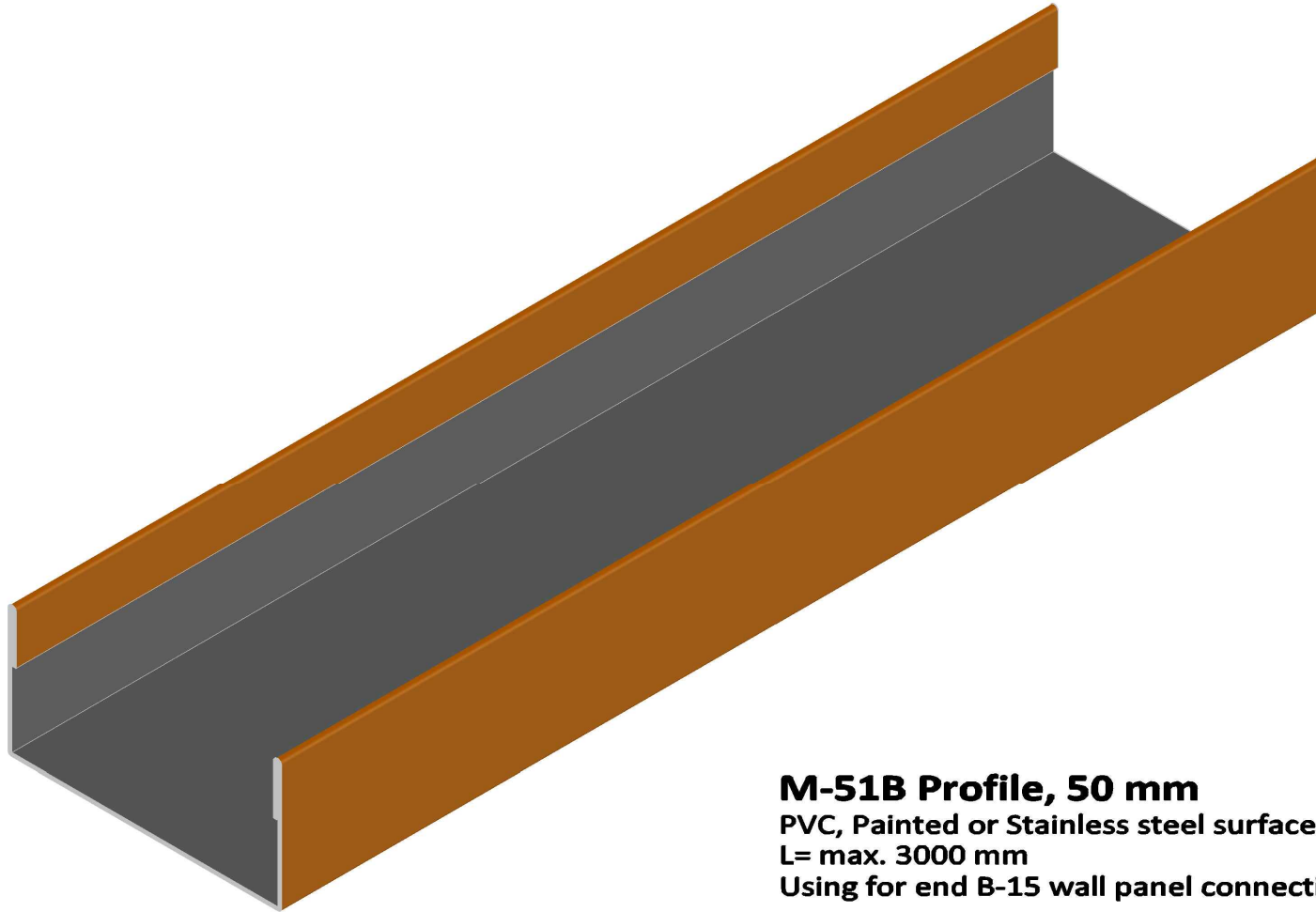


**M-51A Profile, 25 mm**  
PVC, Painted or Stainless steel surface  
L= max. 3000 mm  
Using for end B-0 wall panel connection

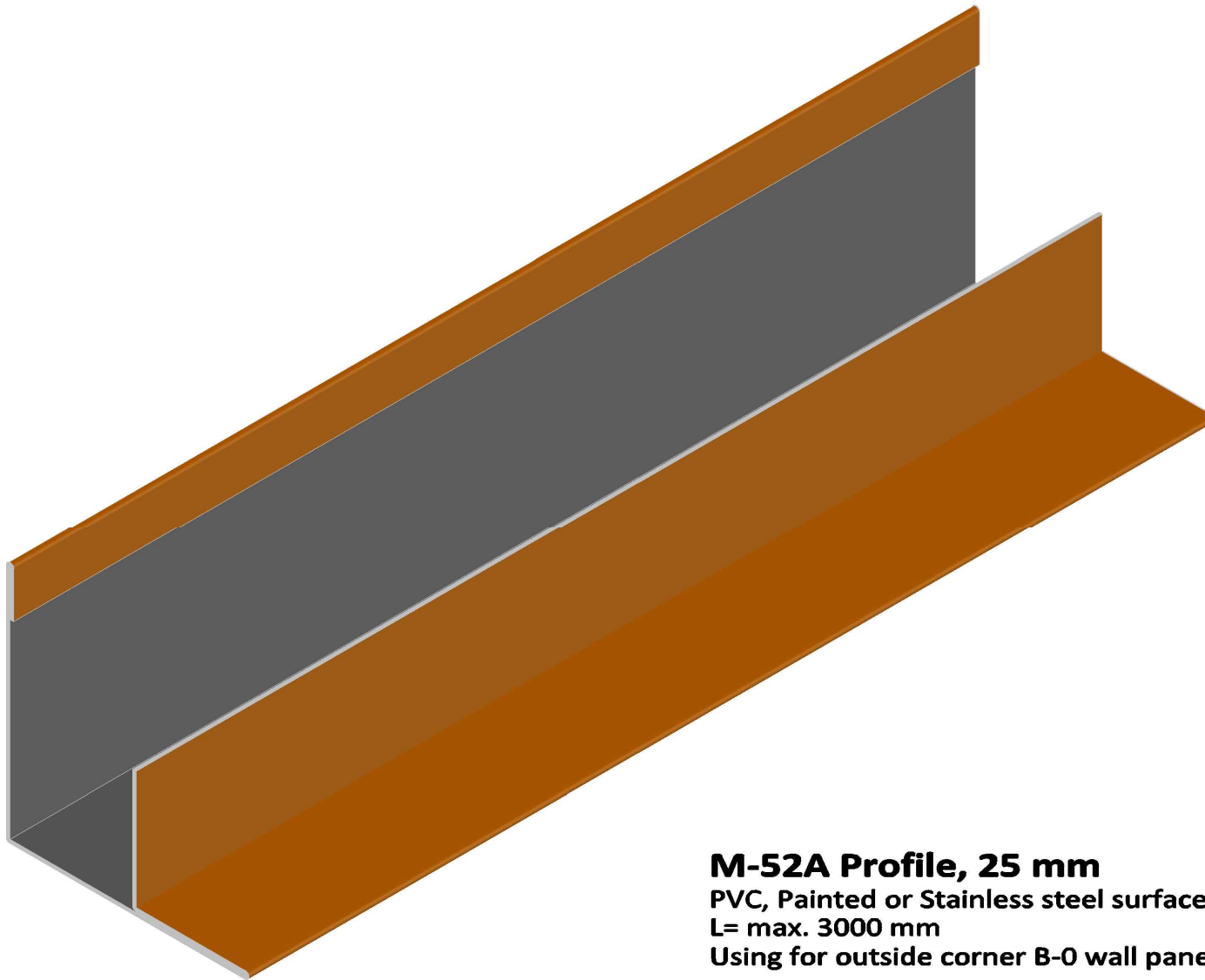


**M-51B Profile, 50 mm**

PVC, Painted or Stainless steel surface

L= max. 3000 mm

Using for end B-15 wall panel connection

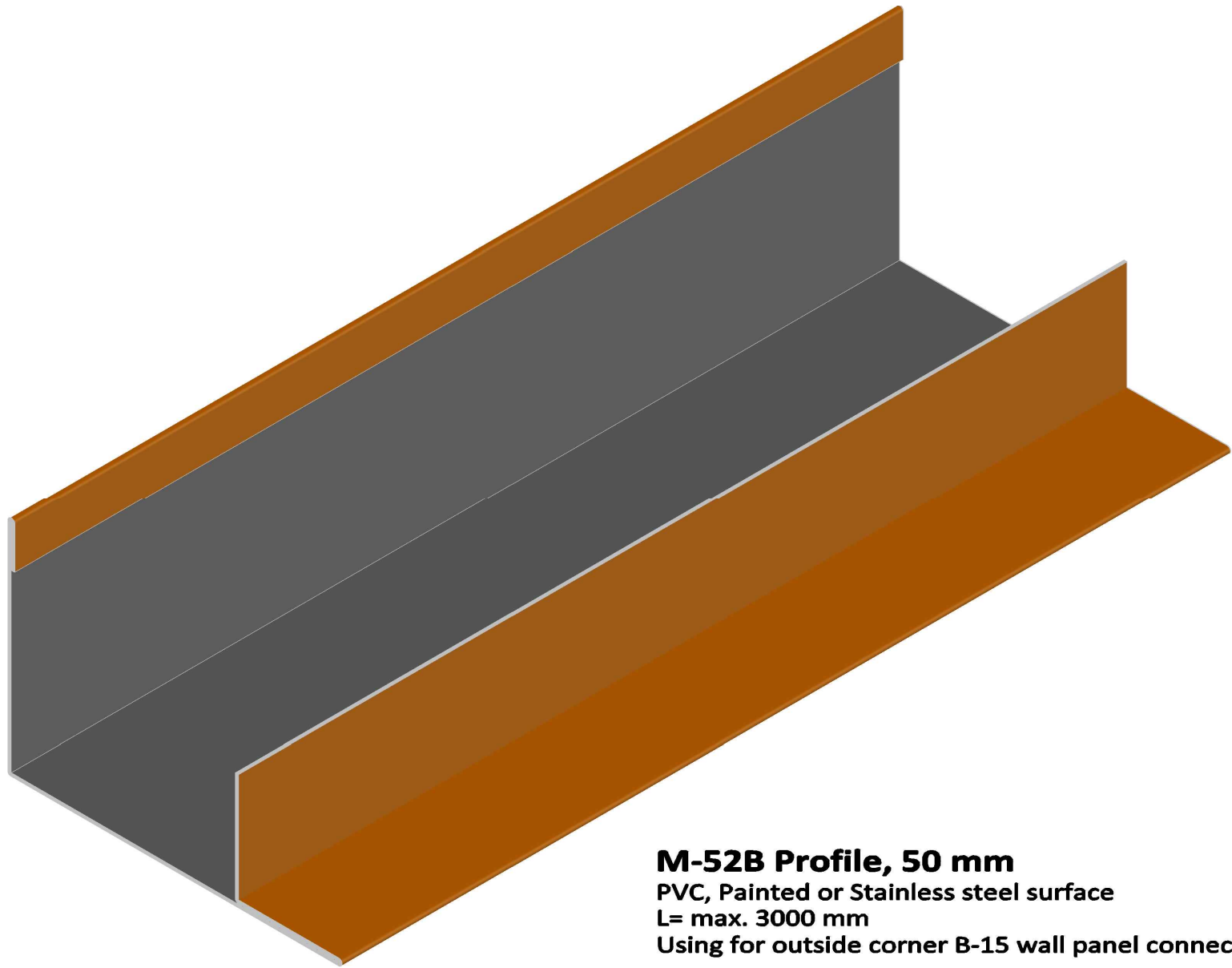


**M-52A Profile, 25 mm**

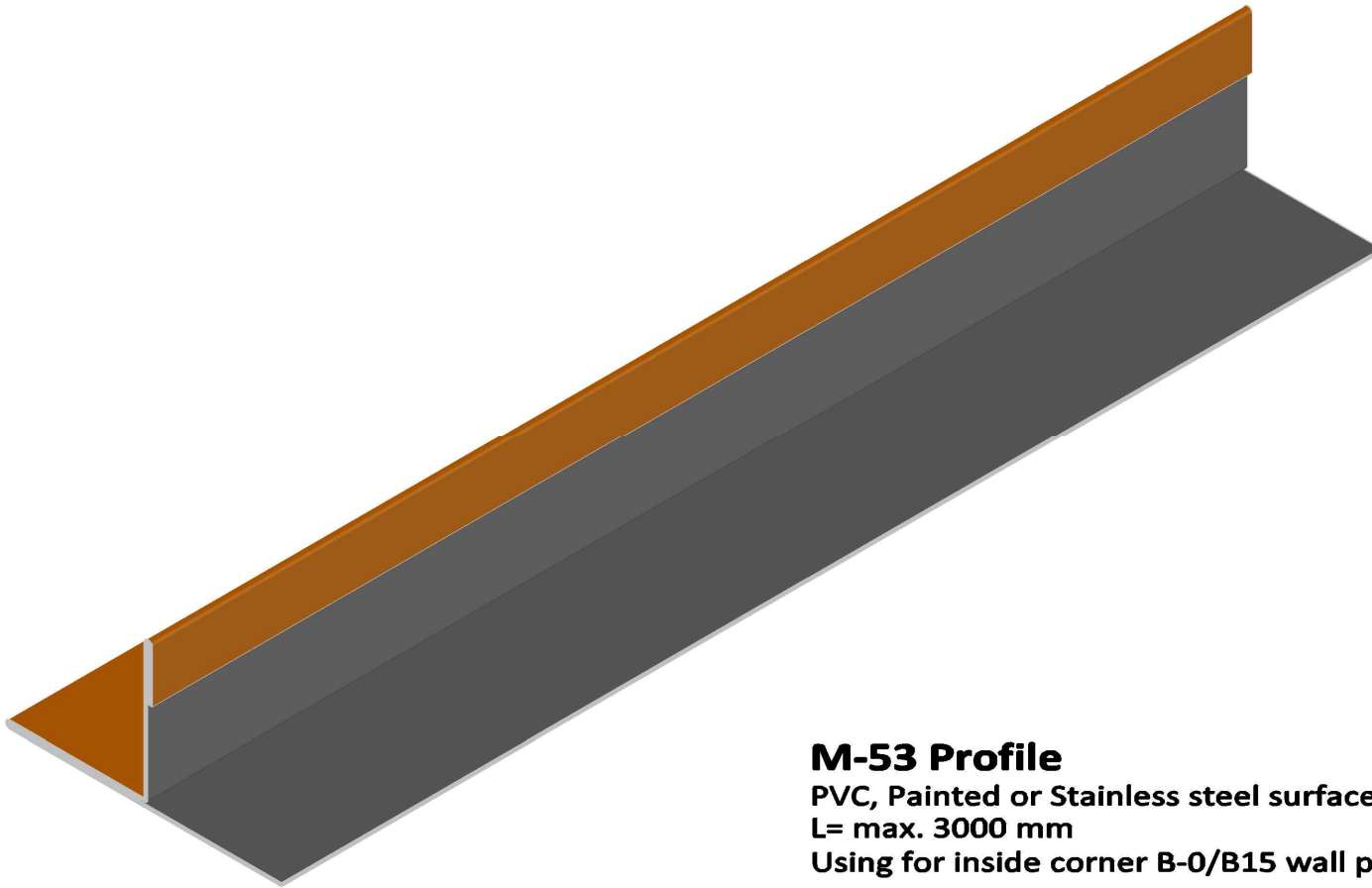
PVC, Painted or Stainless steel surface

L= max. 3000 mm

Using for outside corner B-0 wall panel connection



**M-52B Profile, 50 mm**  
PVC, Painted or Stainless steel surface  
L= max. 3000 mm  
Using for outside corner B-15 wall panel connection

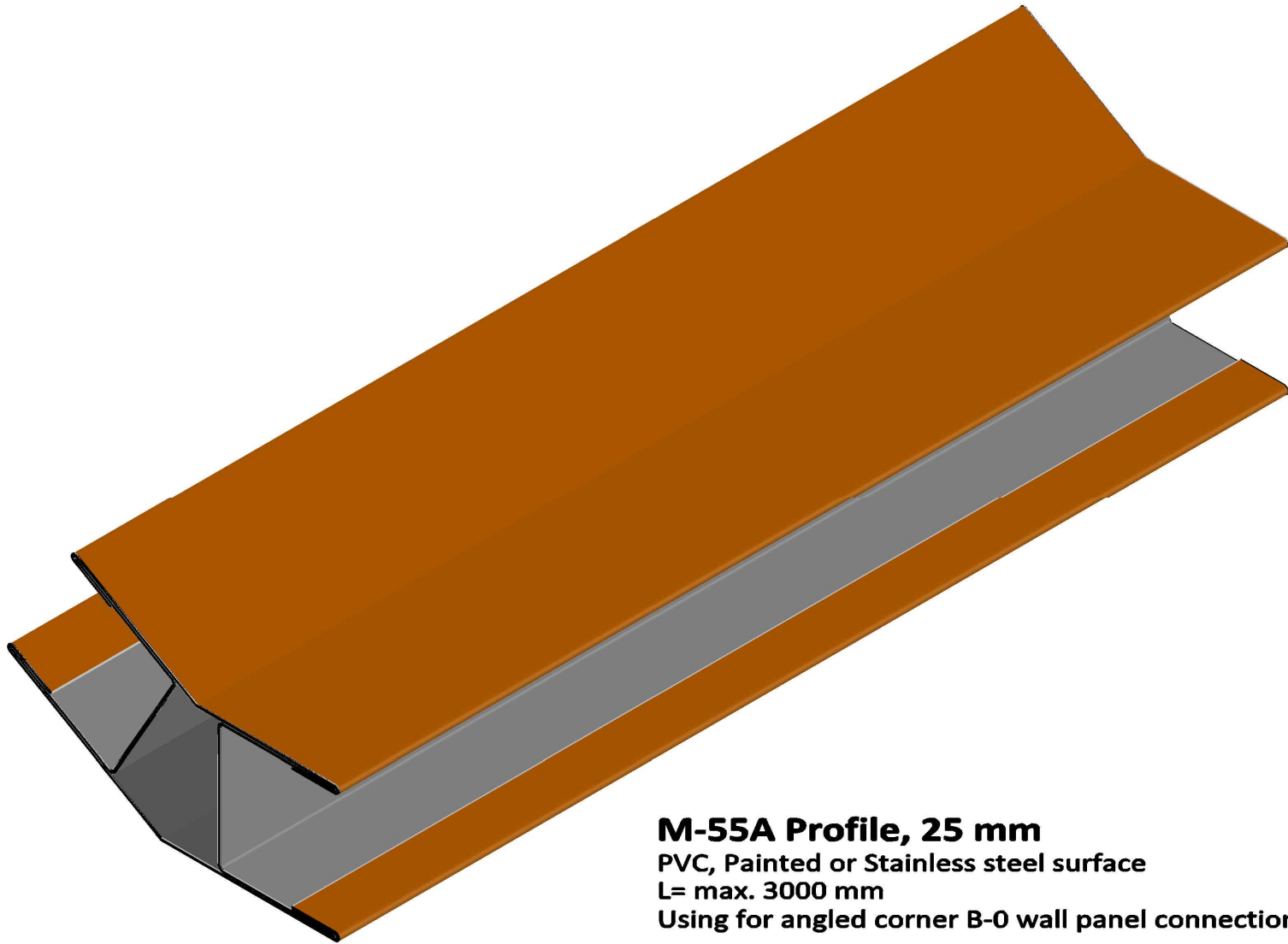


**M-53 Profile**

PVC, Painted or Stainless steel surface

L= max. 3000 mm

Using for inside corner B-0/B15 wall panel connection



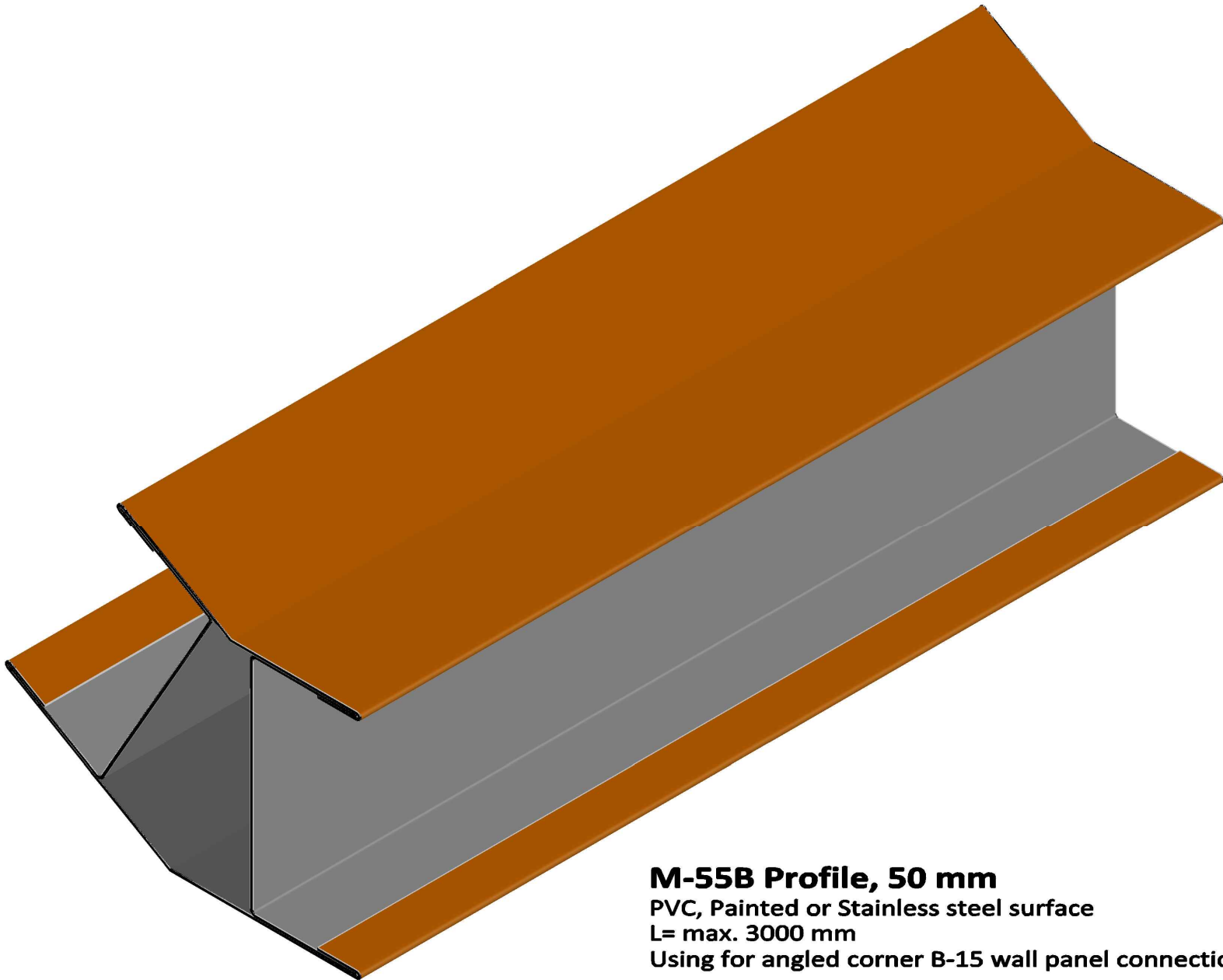
**M-55A Profile, 25 mm**

PVC, Painted or Stainless steel surface

L= max. 3000 mm

Using for angled corner B-0 wall panel connection



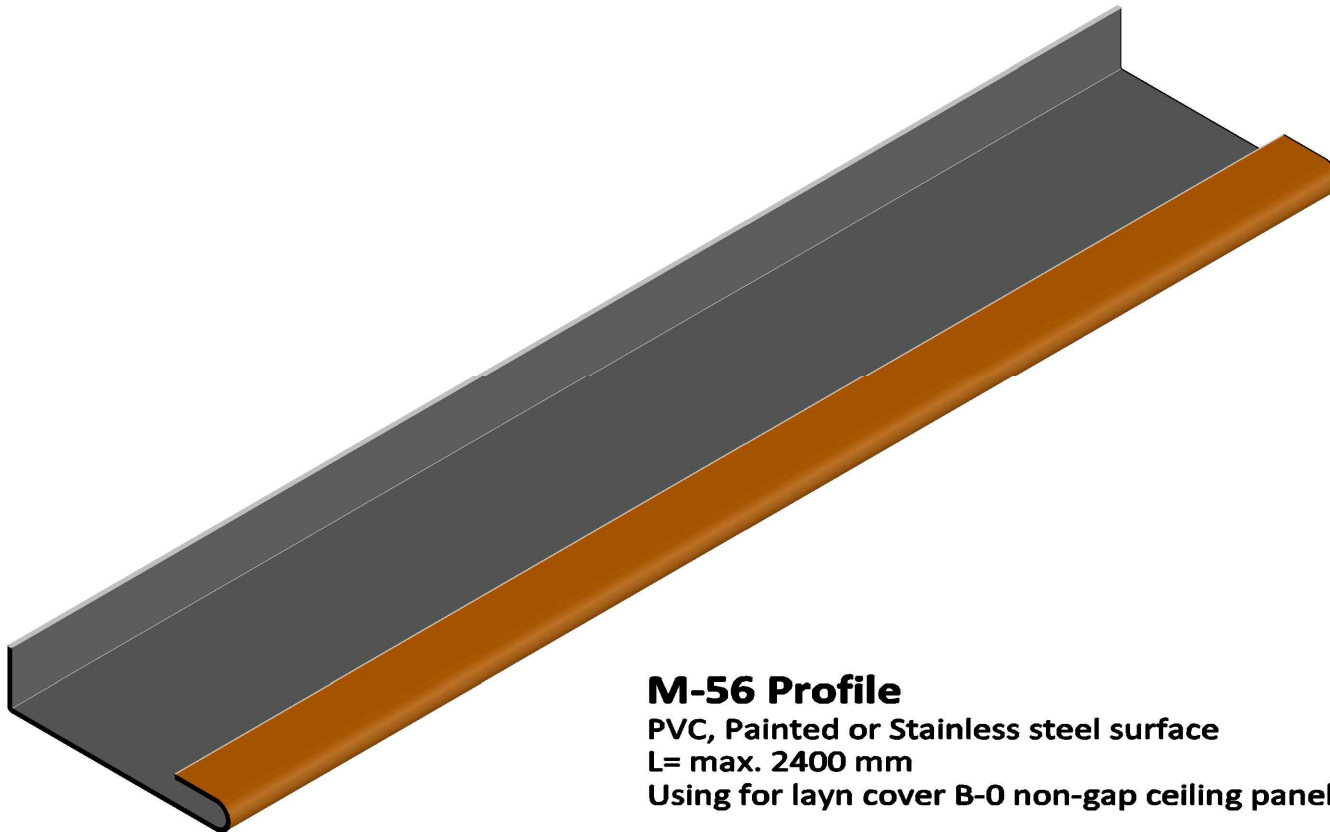


**M-55B Profile, 50 mm**

PVC, Painted or Stainless steel surface

L= max. 3000 mm

Using for angled corner B-15 wall panel connection



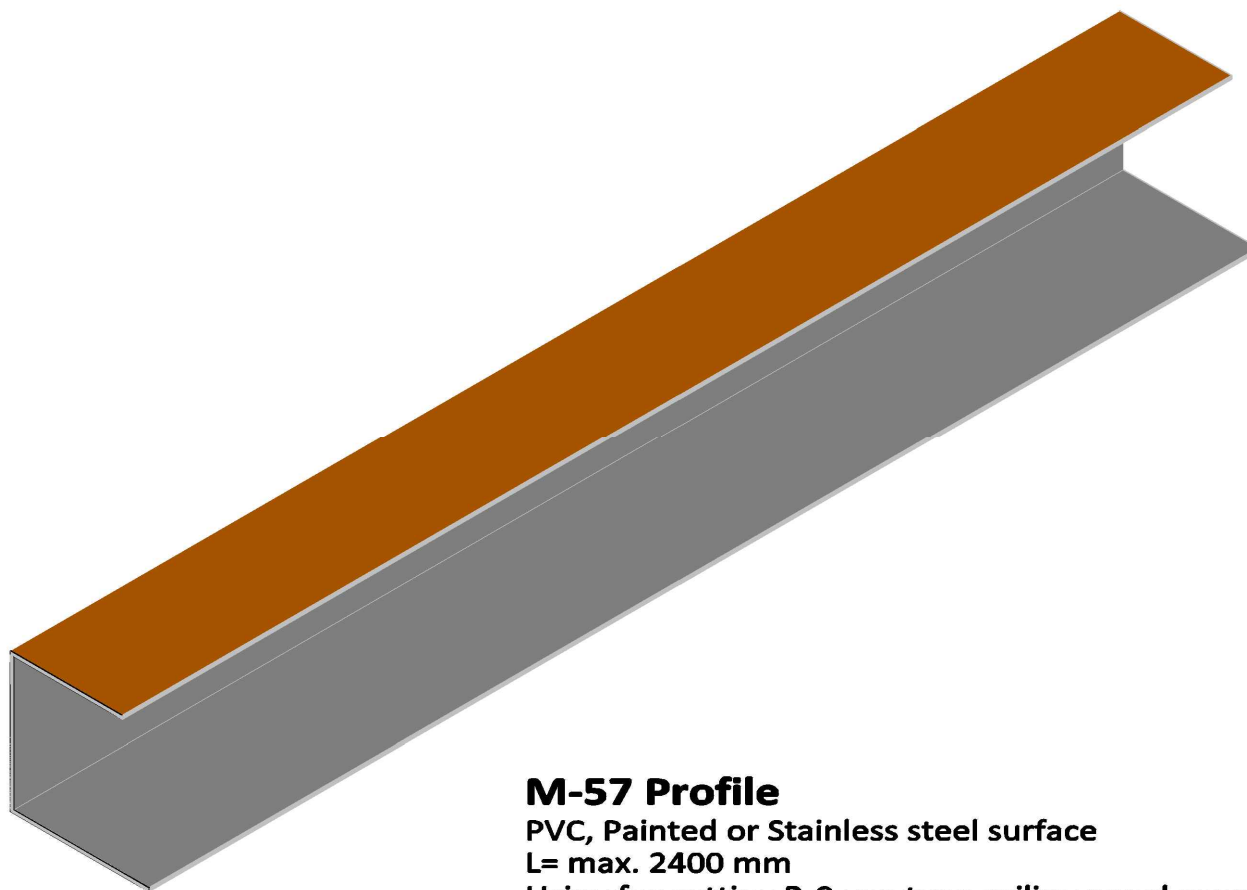
**M-56 Profile**

PVC, Painted or Stainless steel surface

L= max. 2400 mm

Using for layn cover B-0 non-gap ceiling panel connection





**M-57 Profile**

PVC, Painted or Stainless steel surface

L= max. 2400 mm

Using for cutting B-0 gap type ceiling panel connection